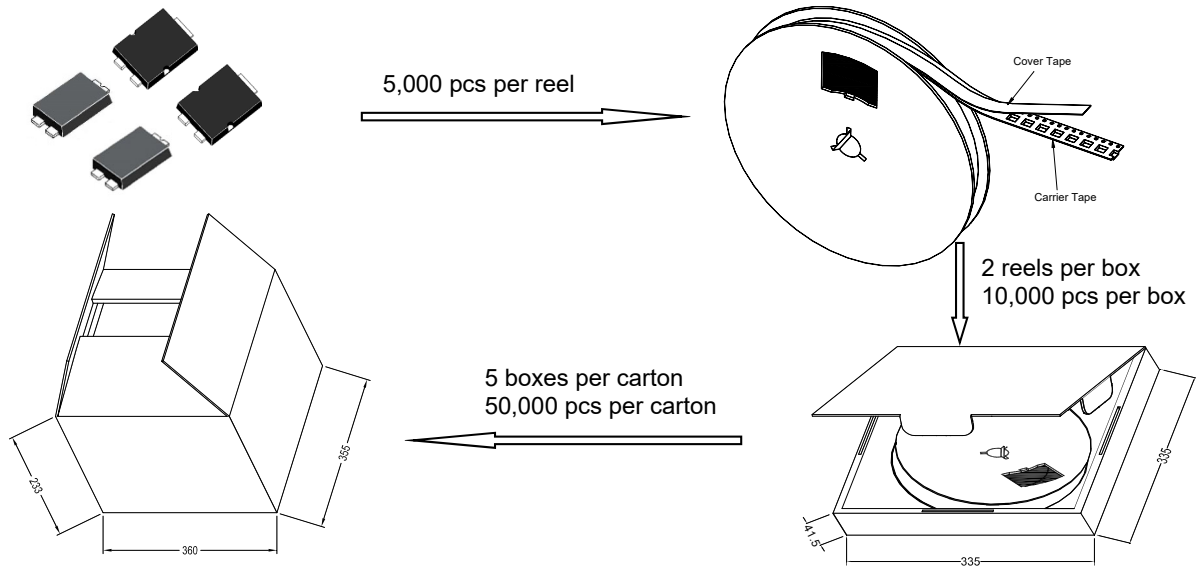
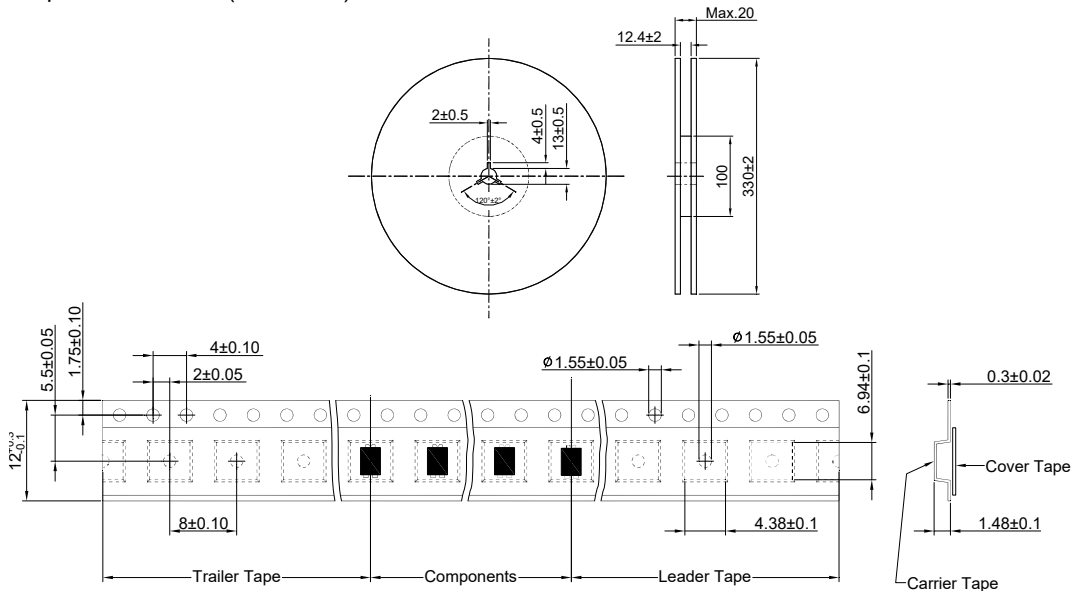


# Packaging Specifications of Tape and Reel for TO-277A & TO-277

1. The method of packaging and dimension are shown as below figure. (Dimension in mm)




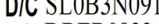




2. Tape and reel data (Units: mm)



3. Label

3.1 The information of inner box label must be listed: (Description of a sample label)

- |       |                     |   |   |                                 |
|-------|---------------------|---|---|---------------------------------|
| 3.1.1 | TYPE <b>SDB1550</b> |  | 0120093   | means (Product) TYPE (Part No.) |
| 3.1.2 | QTY 10,000 PCS      |  |  | means (Product) Quantity (QTY)  |
| 3.1.3 | D/C SL0B3N0917S01   |  |   | means Dice Lot No./ Code (D/C)  |
| 3.1.4 | P/C DBEB0822A       |  |   | means Production Code (P/C)     |
| 3.1.5 | RMK 50121           |  |   | means Manufacturing Date (RMK)  |

3.2 The information of carton label must be listed;

- 3.2.1 TYPE
- 3.2.2 QTY

